

# HYDRAULIC EXCAVATOR **SY235CLC** T3



**SANY**  
AMERICA INC.

## **Rated Power**

190 hp / 142 kW

## **Operating Weight**

55,589 lb / 25,215 kg

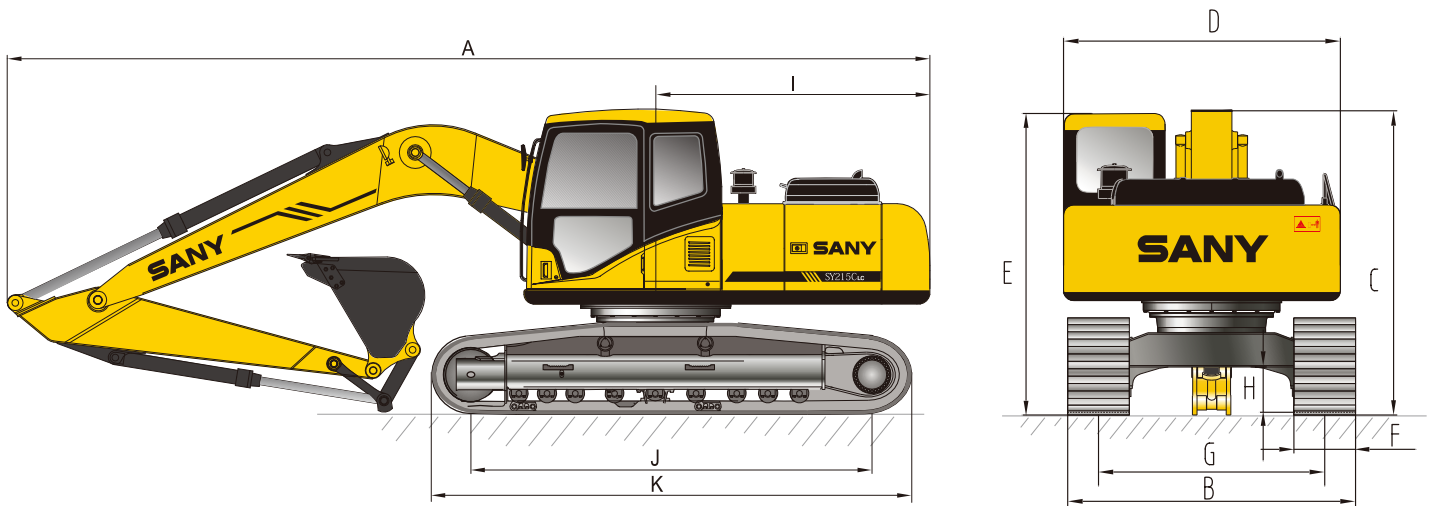
## **Dig Depth**

22' 4" / 6800 mm

## **Bucket Breakout**

39,340 lbf / 175 kN

# SY235CLC DIMENSIONS & SPECIFICATIONS

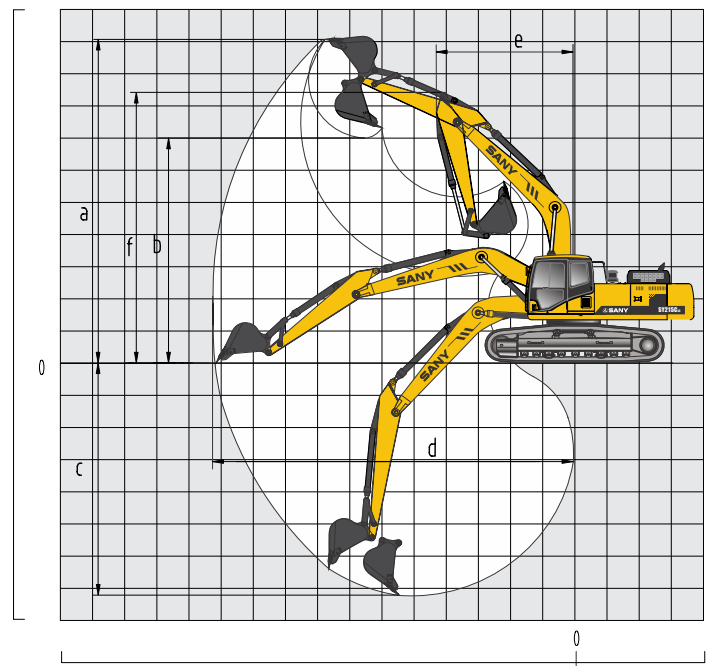


## OVERALL DIMENSIONS

|                                           |                   |
|-------------------------------------------|-------------------|
| A. Transport Length                       | 33' 2" (10120 mm) |
| B. Transport Width                        | 11' 1" (3390 mm)  |
| C. Transport Height                       | 11' 1" (3394 mm)  |
| D. Upper Width                            | 8' 11" (2710 mm)  |
| E. Cab Height                             | 10' 0" (3050 mm)  |
| F. Track Shoe Width (standard)            | 31.5" (800 mm)    |
| G. Track Gauge                            | 8' 6" (2590 mm)   |
| H. Minimum Ground Clearance               | 1' 7" (480 mm)    |
| I. Tail Swing Radius                      | 9' 6" (2890 mm)   |
| J. Length Center Idler to Center Sprocket | 12' 7" (3830 mm)  |
| K. Track Length                           | 15' 2" (4635 mm)  |
| Boom Length                               | 19' 4" (5900 mm)  |
| Arm Length (standard)                     | 9' 9" (2962 mm)   |

## MACHINE PARAMETERS

|                                     |                                 |
|-------------------------------------|---------------------------------|
| Operating Weight                    | 55,589 lb (25215 kg)            |
| Engine Type                         | Cummins QSB6.7 T3               |
| Engine Max Power (Gross)            | 195 hp (145 kW) @ 1950rpm       |
| Engine Max Torque                   | 687 lbf (931 Nm) @ 1400rpm      |
| Engine Displacement                 | 408 in <sup>3</sup> (6.7 liter) |
| Alternator                          | 50A/24V                         |
| Main Pump Flow                      | 2x 67 gpm (252 lpm)             |
| Swing Speed                         | 13 rpm                          |
| Travel Speed                        | 2.0/3.4 mph (3.2/5.5 km/h)      |
| Tractive Effort                     | 43,836 lbf (195 kN)             |
| Max Arm Digging Force (ISO)         | 39,340 lbf (122 kN)             |
| Number of Upper Rollers             | 2                               |
| Number of Lower Rollers             | 9                               |
| Fuel Tank Capacity                  | 90 gal (340 liter)              |
| Hydraulic Tank Capacity             | 61 gal (230 liter)              |
| Cooling System Capacity             | 7.3 gal (27.6 liter)            |
| Engine Oil Capacity                 | 7.0 gal (26.4 liter)            |
| Ground Pressure (31.5"/800mm shoes) | 5.2 psi (35.7 kPa)              |



## WORKING RANGE

|                                          |                   |
|------------------------------------------|-------------------|
| a Maximum Digging Height                 | 31' 2" (9520 mm)  |
| b Maximum Dumping Height                 | 22' 1" (6730 mm)  |
| c Maximum Digging Depth                  | 22' 2" (6757 mm)  |
| d Maximum Vertical Wall Digging Depth    | 19' 3" (5860 mm)  |
| e Maximum Digging Reach                  | 33' 4" (10165 mm) |
| f Minimum Swing Radius                   | 12' 6" (3800 mm)  |
| g Maximum Height at Minimum Swing Radius | 26' 1" (7940 mm)  |



**SANY**  
AMERICA INC.

318 Cooper Circle  
Peachtree City, GA, 30269  
www.sanyamerica.com